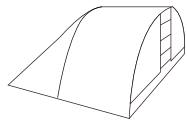


# Torpedo7

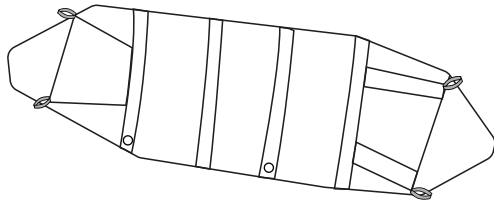
## Air Series 600 Tent Instructions



Single inner room pod x1



①



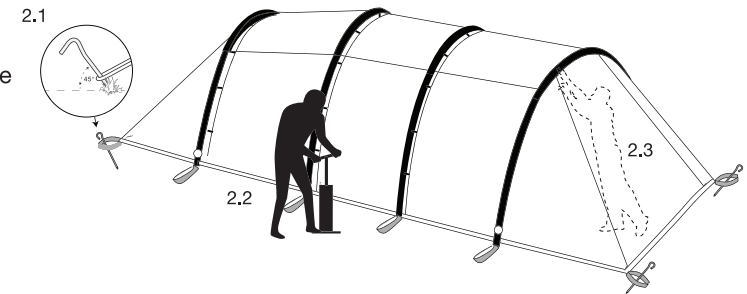
Find a clear area of even ground and ensure it is free of sharp objects before the tent is pitched – these tents require a minimum of two people to assemble and pitch correctly. Avoid pitching under trees – falling tree branches and bird poo won't keep your tent looking new. Also orient your tent so that the back of the tent is facing into the wind to keep it more streamlined to the prevailing wind and allow the rear vent to circulate more air.

②

2.1 - Spread out the tent and peg out the corners. Angle the tent pegs at 45 degrees and use a rubber mallet to hammer the pegs into the ground (to avoid damage to the pegs).

2.2 - Once pegged, inflate the air tubes – air valves are located at the base of each air tube. Ensure all entrances are open before inflation to ensure airflow inside the tent making it easier to erect. Remove caps from the valves and attach the hose of the air pump, ensuring the purge valve is attached to the pump. Inflate the air tubes to 7 psi maximum – DO NOT OVER INFLATE THE AIR TUBES – when the purge valve starts to purge excess air – your air tube is at maximum pressure. Secure the valve caps securely in a clockwise direction – DO NOT OVER TIGHTEN.

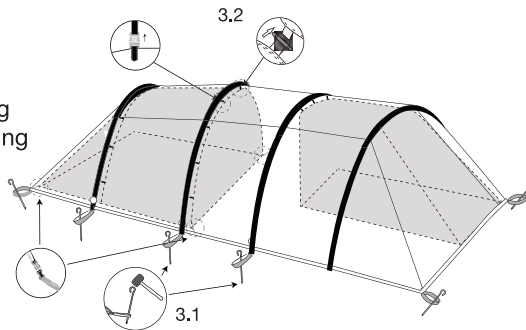
2.3 - When there is sufficient air in the tubes it's necessary for one person to go inside and raise the tubes above their head to start to properly form the final tent shape.



③

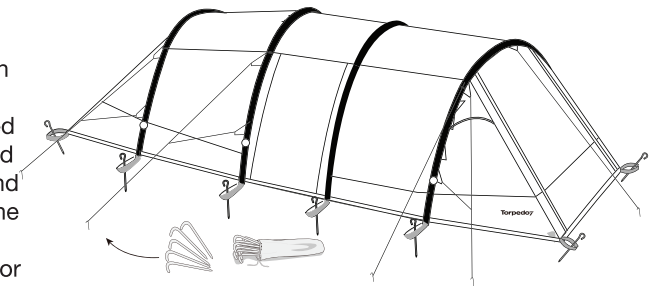
3.1 - Once all air tubes are inflated close all entrance zips and peg out the remaining peg points. Make sure the floor of the tent is sitting flat and even. Ensure all of the anchor points are pegged out securely around the entrances so as to take all of the tension out of the zippers. Now that the base of the tent is secure adjust the tensioning straps at each peg point.

3.2 - Open the front or side entry door and attach the inner rooms of the tent by aligning the toggles and buckles on the inner room with the sewn in O-rings and buckles inside the tent. The zippered doors of the inner rooms should face towards the tent vestibule. Ensure the doors of the inner rooms are zipped up during assembly.



④

Peg out all the guy ropes and fine tune to smooth out any wrinkles on the outer tent – DO NOT OVER TENSION THE FLY as you will need to allow for changes in weather and wind strength. Peg out the front and rear draft vents – these will keep the air circulating in the tent and maintain a more comfortable interior temperature. You can adjust the amount of venting by relocating the tension/location of the pegs of the draft vents at the front and rear of the tent. Reduce vent size in cold weather- but still allow some air flow to reduce internal condensation.



## General Maintenance and Handy Pointers

Practice pitching your tent to become familiar with the pitching process and make sure you follow instructions. Air inside the tubes of the Air Series tents naturally expands and contracts with air temperature so for extended camping you will need to top up to maintain a 7 PSI pressure. The tent will rise and fall during the day with the heat of the sun. Don't over-inflate a cool tent in the morning as the air WILL expand. Avoid setting up or disassembling your Torpedo7 Air Series Tent in strong winds as any damage will not be covered by our standard 12 month warranty

## Deflation and Disassembly

1. When you are ready to move from your campsite- unscrew the valves counter clockwise a few gentle turns- let the air release gradually from the air tubes- don't release too suddenly as it is likely to give your neighbours a fright as there is a fair bit of pressure.
2. Air tubes may still have residue air- this can be massaged out towards the valve direction while the tent is being folded. Always dry the tent before you pack away to prevent any moisture build up and/ or mildew developing. The inner room can be left inside the tent on deflating and removed and folded later
3. DO NOT pull out pegs with the peg webbing as it will weaken the peg straps or break them- use another peg and its hook end to lever out other pegs or a peg extractor tool.
4. When you return home, dry the tent out and repack- add some silicone sachets and store in dry place.

***WARNING- do not open the air tube zips- these are only to be opened when the inner bladder needs replacing. For details on tube replacement please refer to [www.torpedo7.com](http://www.torpedo7.com) and search for the tent model assembly/ disassemble details***

## Care Instructions

### Setting Up Your Tent For The First Time

We recommend that you erect your tent for a period of time before use - enabling it to go through the weathering process. Weathering is the process of allowing your tent to become soaked and then completely dry two to three times in order to reinforce the waterproofing of the seams and fly sheet stitching.

## Guy Ropes Tips and Tricks

The pre-tied guy ropes must be used at ALL times to help stabilize and help prevent any damage to your tent (your tent is not covered under warranty from wind and/ or storm damage) . Guy ropes need to go into the ground and be at a 45 degree angle to be most effective.

## Using Your Tent

***KEEP ALL HEAT AND FLAME SOURCES AWAY FROM SHELTER \*\*\*NEVER\*\*\**** use any gas, flame or heat appliances inside your shelter

- For best results set your tent up on level ground with no sharp objects
- At the first sign of bird droppings or sap from a tree, clean off straight away using water and a soft cloth only; if left this way damage the fabric
- If using a groundsheet ensure that it has a smaller footprint than the tent. This helps to stop water from pooling under the tent.

## Packing Away and Storing Your Tent

- DO NOT use cleaning agents, bleaches or sharp instruments to clean your tent; this may not only affect the waterproofing treatment of the fabric, but may accidentally cause damage to the tent which would NOT be covered under the warranty
- Your tent must be stores away DRY and CLEAN; it must also be kept in a dry area off the ground to help prevent any moisture build-up and/ or mildew developing
- When dismantling the tent, take the extra time to wipe down the poles along with your pegs. This will help keep them all free of dirt and debris and help extend their lifespan
- If you need to pack away your tent damp, please ensure you dry the tent fully as soon as possible to avoid mildew.
- If not regularly used, erect the tent every 3 months, this will help in the detection of any mold or mildew that may have been unsighted when last used.
- If the tent has been used near the sea, hose down the entire tent to remove salt spray residue (particularly zip slides and any metal parts) and dry thoroughly before storing. Zip sliders can be sprayed with a silicone spray to prevent corrosion (avoid oil- based sprays as they will stain the fabric)

## Ventilation and Avoiding Condensation

- Condensation happens in cold weather and in humid conditions. It is formed by breath, cooking nearby, drying clothes in your tent and human perspiration.
- The most efficient way to prevent condensation is ventilation. Man made fabrics are prone to condensation as warm air from within the tent and colder outer air create condensation on the outer material. This is a natural occurrence and vents must be open at all times
- The tent is designed to have a good air circulation which only works when vents remain open. Whenever possible keep the waterproof doors open with the mesh screens closed to allow for a through flow of air and fully peg your lower vents out, keeping them clear of obstructions such as mattress and gear bags.
- **Please note:** the average person will expel up to 1 litre of moisture from their breath per night – this will amplify any condensation events and can be mistaken for leaks.

## Inflating The Air Tubes

- Ensure your air tubes are inflated to the correct pressure by using the gauge on the pump and using the pressure release valve. Please inflate tubes slowly and children should be supervised when inflating the tent.
- Inflate the air tubes to 7 psi maximum- **DO NOT OVER INFLATE THE AIR TUBES**- when the purge valve starts to purge excess air- your air tube is at maximum pressure. Secure the valve caps securely in a clockwise direction- **DO NOT OVER-TIGHTEN.**



Ensure your air tubes are inflated to the correct pressure by using the pressure release valve and gauge on the pump.

## Guide For Pumping Up Air Tents

- The purge valves supplied with these Air Series tents, and attached to the pump, are slow acting purge valves. This allows for maximum pressure, and therefore Air Beam rigidity, to be achieved.

## Guide For Pumping Up Air Tents Continued

- There is some risk that the Air Beams can be momentarily over inflated if the pump action used is too rigorous, leading to the internal bladders of the Air Beams popping the zips open
- Please ensure that you inflate the Air Beams slowly, and carefully, paying attention to the noise of the purge valve exhausting – this sound is very similar to the sound of the air entering the Air Beam bladder.

## Puncture? You can easily repair it

- If you locate a small puncture you can easily repair it with your kit which came with your tent.
- To remove the air frame tube- deflate the tube and unzip the protective covers and pull the tube out. Please do not unzip while the tube is inflated.
- Establish the positioning of the puncture and repair with your kit. Place the air tube back into its sleeve, in the correct position, with the valves in their correct sockets and ensure that the bladder has not got twisted.
- Zip both sleeves up again.
- Begin to inflate the tube slowly again, checking that the puncture repair has been successful.
- If the process does not work a replacement bladder can be purchased from your nearest Torpedo7 store.
- \*Tents will not be replaced due to damaged bladders- within warranty time-frames bladders will be replaced\*

## Trouble Shooting

Problem	Reason	Solution
The Air Tube is deflating after the pump is removed	The "Speed Valve" Button hasn't pressed back out	Press the quick release button back out and the valve will close
Your tent is leaking water	Tents need to be "weathered" before they fully seal, you may experience some weeping before your tent weathers	Allow the tent to get completely soaked and then fully dry two to three times
Pools of condensation are forming	Condensation is an inevitable occurrence in tents caused by a warmer inside temperature from people and a cooler exterior	Open any ventilation points. Always keep your lower ventilation points open to optimise the tents air flow (this reduces condensation)
Bowing or twisting of tubes	There is a chance that the air tubes can twist within the seams especially when packing away	Unzip the sleeve when the tube is deflated. Adjust and reposition the tube as required

### Warranty

Torpedo7's Warranty Policy covers our product for 12 months from the purchase date. Warranty claims cover any fault, defect or failure occurring as a result from the manufacturing process. Damage or faults occurring as a result of misuse, accident, or wear and tear are not covered by our warranty policy.

### Please Note:

The warranty for Torpedo7 tents does not cover wind damage. This is standard practice for all tents sold in New Zealand and Australia. It is recommended to take down your shelter in the event of high winds.

### Not covered under warranty:

- Failure to deploy all guy ropes in accordance with the instructions.
- Damage caused by incorrect maintenance of the product.
- Flaws in the fabric caused by excessive use
- Imperfections or pulls in mesh doors due to wear and tear.
- Water ingress through fabric because of accelerated UV degradation due to long term pitch.
- Water ingress through seams caused by excessive abrasion of seams or taped seam.
- Broken zips caused by over tensioning, forcing or snagging.
- Over tensioned/stretched seams coming apart
- Buckles subjected to undue force or abrasion.